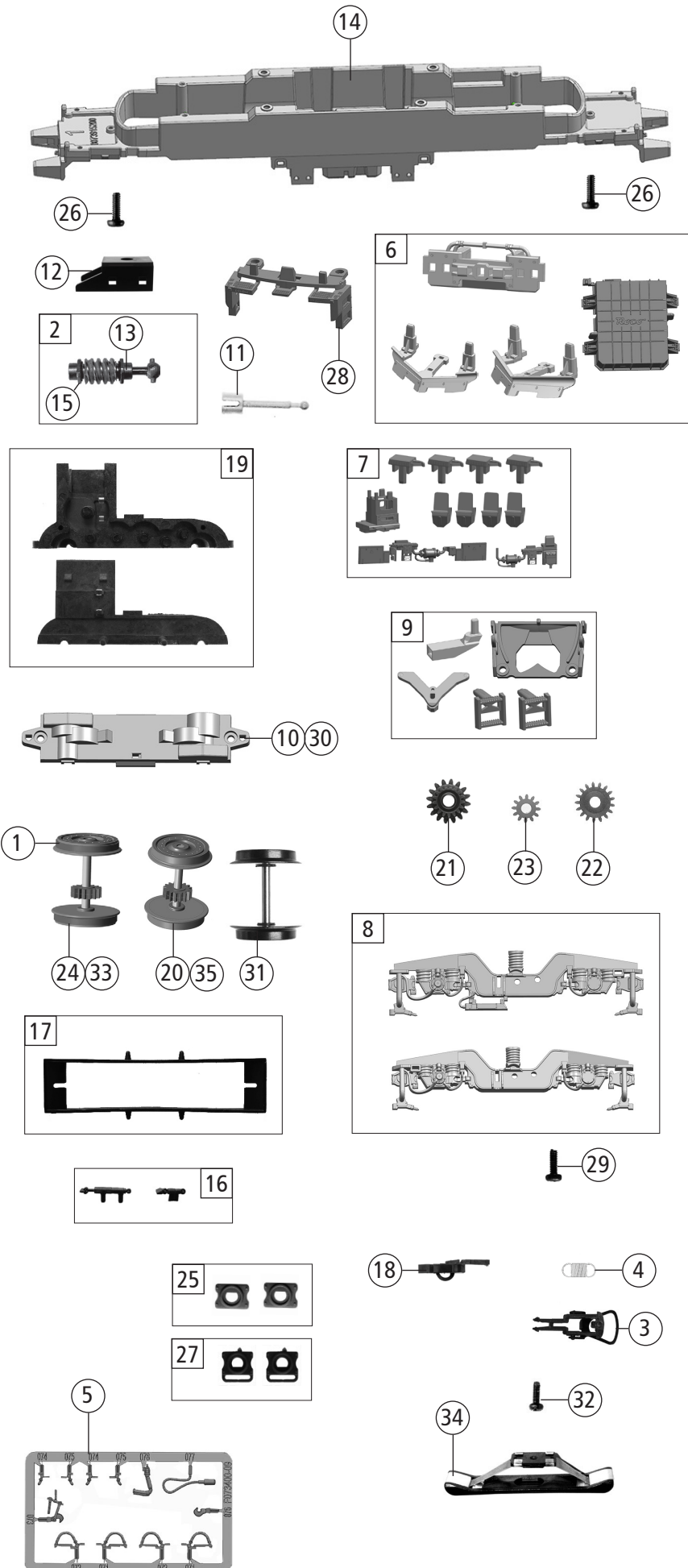


| Pos. Nr.<br>Pos.no. | Beschreibung<br>Description  | Art.-Nr.<br>Art.no. | Preisgruppe<br>Price bracket |
|---------------------|--|---------------------|------------------------------|
| 1                   | Gehäuse kpl. Betr.Nr. 6193 805-9<br>Body complete loco nr. 6193 805-9              | 142016              | 36                           |
| 2                   | Antenne<br>Antenna   | 141152              | 3                            |
| 3                   | Dachbaugruppe kpl.<br>Roof assy complete   | 141234              | 31                           |
| 4                   | Stromabnehmer Typ 8<br>Pantograph Typ 8  | 85488               | 23                           |
| 5                   | GF-Schraube M2x5 mm<br>Self-tapping screw M2x5 mm                                  | 114966              | 3                            |
| 6                   | Führerstand und Himmel<br>Driver's cab and ceiling                                 | 141149              | 8                            |
| 7                   | TS-Dachgitter<br>Part set roof grid  | 141150              | 10                           |
| 8                   | TS-Stirn + Seitenfenster<br>Part set front and side window                         | 141147              | 9                            |
| 9                   | TS-Abdeckungen<br>Part set covers  | 141137              | 4                            |
| 10                  | TS-Lichtleiter und Scheinwerfer<br>Part set light conductor and headlight          | 141148              | 14                           |
| 11                  | Dachleitungen<br>Roof wires  | 141939              | 5                            |
| 12                  | Türgriff<br>Door handrail  | 141154              | 4                            |
| 13                  | TS-Wischer links und rechts, Horn<br>Part set wiper left and right, signal horn    | 141155              | 6                            |
| 14                  | UIC-Dose<br>UIC-socket   | 141165              | 3                            |
| 15                  | Steckdose<br>Socket  | 141163              | 3                            |
| 16                  | TS-Isolatoren<br>Part set isolators  | 141156              | 5                            |
| 17                  | Frontplatte<br>Front plate   | 142018              | 8                            |
| 18                  | Puffer eckig<br>Rectangular buffer   | 122789              | 3                            |
| 19                  | TS-Lautsprecherbox und Platten<br>Part set loudspeaker box and plates              | 141139              | 5                            |
| 20                  | GF-Schraube M1,6x5 mm<br>Self-tapping screw M1,6x5 mm                              | 115269              | 3                            |
| 21                  | Platine kpl.<br>PCB complete   | 141244              | 24                           |
| 22                  | Brückenstecker<br>Jumper   | 133241              | 10                           |
| 23                  | Motor m.2Schwungm. und Kardanschale<br>Motor with 2 flywheels and cardan reception | 85112               | 28                           |
| 24                  | Lichtstreuleiste<br>Light strip  | 141243              | 4                            |
| 25                  | Zugzielanzeige<br>Destination indicator  | 142017              | 9                            |
| 26                  | Motordämpfer<br>Motor silencer   | 113376              | 4                            |
| 27                  | Kontaktfeder<br>Contact spring   | 116876              | 3                            |
| 28                  | Lokführer<br>Loco driver   | 110407              | 6                            |
| 29                  | Stromabnehmerisolatoren<br>Pantograph isolator                                     | 141206              | 6                            |
| 30                  | TS-LZB Antennen<br>Part set antenna  | 122803              | 6                            |
| 31                  | Antenne kurz<br>Antenna short  | 141151              | 3                            |
| 32                  | TS-Griffe<br>Part set handles  | 141164              | 5                            |
| 33                  | TS-Griffe<br>Part set handles  | 141646              | 6                            |
| 34                  | Kardanschale kurz<br>Cardan reception, short                                       | 87129               | 4                            |
| 35                  | Innenbeleuchtung<br>Interior lighting  | 141659              | 4                            |
| <b>Sound</b>        |  |                     |                              |
| 36                  | Platine kpl.<br>PCB complete   | 141248              | 26                           |
| 37                  | Lautsprecher<br>Loudspeaker  | 129524              | 14                           |
| 38                  | Sounddecoder<br>Sound-decoder  | 129000              | 39                           |

Änderungen in Konstruktion und Ausführung vorbehalten  
We reserve the right to change the construction and specification



| Pos. Nr.<br>Pos.no.    | Beschreibung<br>Description   | Art.-Nr.<br>Art.no. | Preisgruppe<br>Price bracket |
|------------------------|---|---------------------|------------------------------|
| 73933                  | Railpool VECTRON  |                     |                              |
| 73934                  |   |                     |                              |
| 79934                  |   |                     |                              |
| 1                      | Haftrings. 10Stk. 12,9-14,6 mm<br>Traction tyre set, 10 pcs., 12,9-14,6 mm          | 40070               | ---                          |
| 2                      | Schneckensatz mit Kardankugel<br>Set of worm gear incl. cardan ball                 | 110377              | 13                           |
| 3                      | Standardkupplung<br>Standard coupling   | 89246               | 6                            |
| 4                      | Zugfeder<br>Draw spring   | 86208               | 3                            |
| 5                      | TS-Bremsschläuche und Zughaken<br>Part set of brake tubes & coupling hooks          | 139832              | 7                            |
| 6                      | TS-Schienenräumer, Trafwanne<br>Part set rail guard, transformer tub                | 141140              | 12                           |
| 7                      | TS-Sandkasten, Antenne<br>Part set sand box, antenna                                | 141144              | 7                            |
| 8                      | TS-Drehgestellblende<br>Part set bogie  | 141158              | 15                           |
| 9                      | TS-Kinematik und Deichsel<br>Part set kinematics and drawbar                        | 141136              | 8                            |
| 10                     | Getriebeboden<br>Gear bottom  | 141159              | 7                            |
| 11                     | Kardanwelle 24,7mm<br>Cardan shaft 24,7mm   | 107011              | 4                            |
| 12                     | Schneckendeckel<br>Worm gear cover  | 122822              | 4                            |
| 13                     | Lager für Schneckenachse<br>Bearing for worm gear axle                              | 89749               | 6                            |
| 14                     | Grundrahmen<br>Basic frame  | 142014              | 16                           |
| 15                     | Beilagscheibe<br>Washer   | 86108               | 3                            |
| 16                     | TS-Blendensteckteile<br>Set of cover plug-in parts                                  | 122956              | 5                            |
| 17                     | Kontakthalter mit Litzen<br>Contact support with leads                              | 137826              | 9                            |
| 18                     | Kurzkupplung-Vorentkupplung<br>Short coupling- pre-uncoupling                       | 115550              | 6                            |
| 19                     | Getriebesatz 2-teilig<br>Gear set 2-parts   | 122816              | 11                           |
| 20                     | Radsatz m. Zahnrad o. Haftring<br>Wheelset w.gear wheel w/o traction tyre           | 141160              | 12                           |
| 21                     | Schneckenrad doppelt Z=16/17<br>Worm gear wheel double Z=16/17                      | 86419               | 6                            |
| 22                     | Zahnrad Z=17 M=0,4<br>Gear wheel Z=17 M=0,4   | 127541              | 4                            |
| 23                     | Zahnrad Z=12 M=0,4<br>Gear wheel Z=12 M=0,4   | 127542              | 4                            |
| 24                     | Radsatz m.2 Haftringen m. Zahnrad<br>Wheelset w.2 traction tyres w.gear wheel       | 141161              | 13                           |
| 25                     | Pufferflansch links und rechts<br>Buffer flange left and right                      | 136487              | 5                            |
| 26                     | GF-Schraube M2x6 mm<br>Self-tapping screw M2x6 mm                                   | 114828              | 3                            |
| 27                     | Pufferflansch links und rechts Vitrine<br>Buffer flange left and right for showcase | 141162              | 4                            |
| 28                     | Schürze bedruckt<br>Skirt printed   | 142015              | 6                            |
| 29                     | GF-Schraube M1,6x4 mm<br>Self-tapping screw M1,6x4 mm                               | 114850              | 3                            |
| <b>AC-Wechselstrom</b> |   |                     |                              |
| 30                     | Getriebeboden AC<br>Gear bottom AC  | 130040              | 8                            |
| 31                     | Radsatz o. Haftring o. Zahnrad AC<br>Wheelset w/o traction tyre w/o gear wheel AC   | 141242              | 11                           |
| 32                     | Schraube M1,5x5 mm<br>Screw M1,5x5 mm   | 108137              | 3                            |
| 33                     | Radsatz m.2 Haftringen m. Zahnrad AC<br>Wheelset w.2 traction tyres w.gear wheel AC | 141168              | 13                           |
| 34                     | Schleifer 42 mm<br>Center pick-up 42 mm   | 86030               | 14                           |
| 35                     | Radsatz m. Zahnrad o. Haftring AC<br>Wheelset w.gear wheel w/o traction tyre AC     | 141167              | 12                           |

Ersatzteile erhalten Sie direkt unter [www.roco.cc](http://www.roco.cc), bei Ihrem Fachhändler oder Ihrer Landesvertretung:  
Spare parts can be ordered directly at [www.roco.cc](http://www.roco.cc) and from your local dealer or country representative.